

**New!**

for ENGINEERS, DESIGNERS and CONTRACTORS

**HVAC**  
SOLUTION

**Save Time**

**Eliminate Errors**

**Increase Profits**

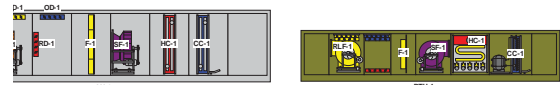
# HVAC Solution 4.0

**HVAC Solution** allows you to drag-and-drop super-intelligent objects to design air systems including both air handlers and rooftops. It provides you with tools to build both hydronic and steam systems. The software includes all the necessary piping and ductwork components model most systems with unparalleled flexibility. Top this off with the capability to select equipment, export calculation reports, equipment schedules, schematics in dxf format, an electrical coordination matrix and a bill of materials, HVAC Solution has become the design standard of the HVAC industry.

## HVAC Solution – 4.0

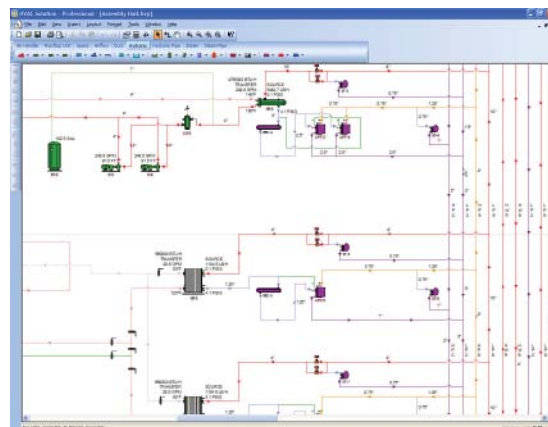
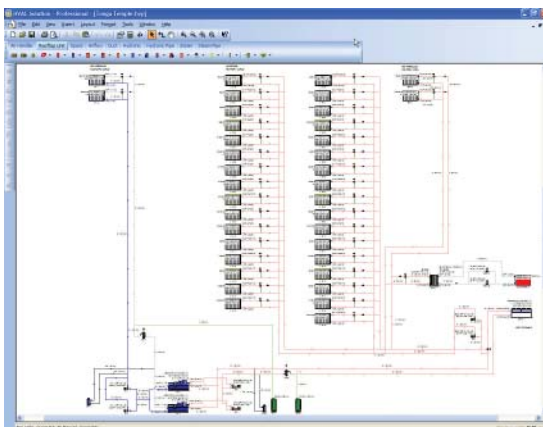
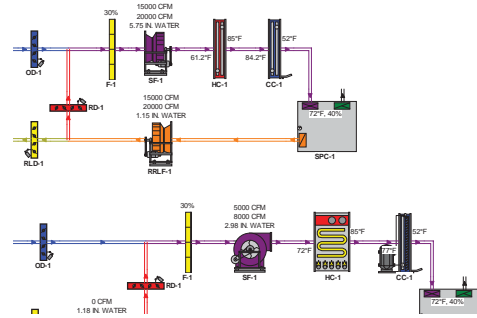
New components in Version 4.0

- Blowdown separator – This brand new component completes the boiler system toolbox.



Functionality enhancements in Version 4.0

- Shapes – Dress your drawing up with a brand new drawing tool that allows the user to draw rectangles, circles, lines and other objects. Create your own title block or finish up your control schematic. No other software is needed; HVAC Solution can do it all!
- Weather database – A brand new weather database has been included in HVAC Solution which allows you to pick your location and automatically location-specific altitude, dry bulb, wet bulb and other climatic design data is set for you. No more hunting around!
- Metric issues – Check the SI units option to work with a more standard SI unit system.
- Allowed fluid head loss factor to be disabled – We heard you; you can now turn off the fluid head loss factor globally to better model what you are thinking.
- Calculate and size drip traps – Automatically size steam traps based on the length of pipes. No more searching around for your load, you can figure it just by entering pipe lengths.
- Allow pipes to terminate without an ending component – Double-left click any pipe to terminate it. This feature works well for when you are connecting to systems that you don't need to design. All the relevant temperature data required to define a system can be set right within the pipe. This feature works for steam and hydronic systems.
- Added fuel oil pump to boiler – For oil systems we have added oil fuel pump information in the boiler.



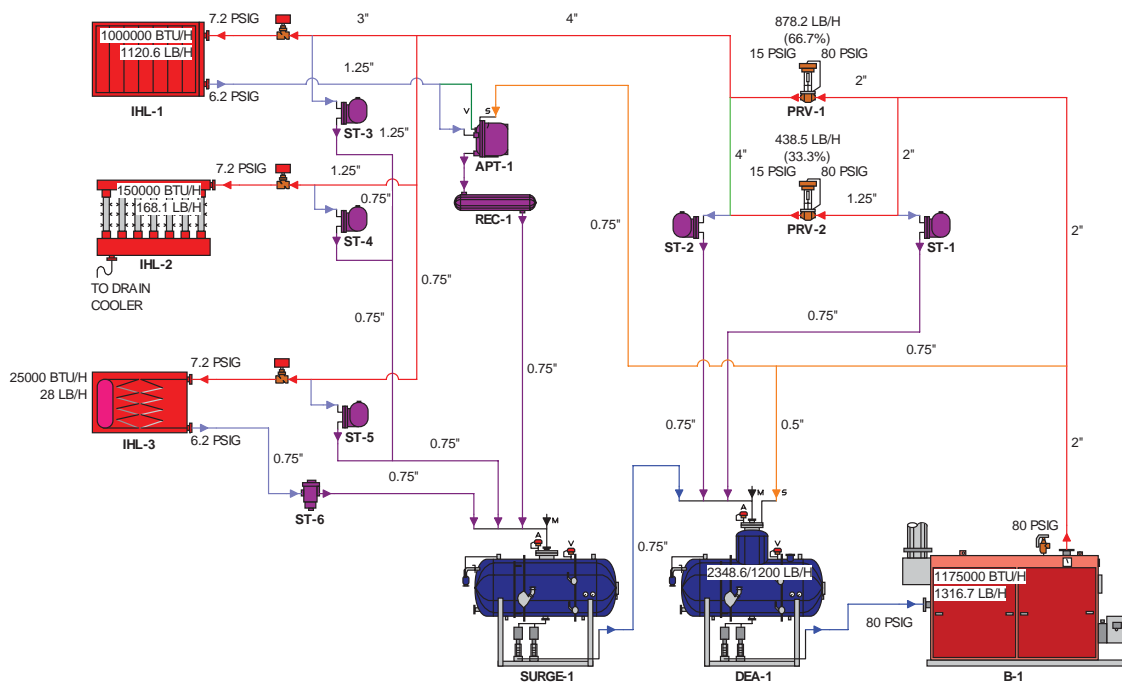
**New!**

for ENGINEERS, DESIGNERS and CONTRACTORS

**HVAC**  
SOLUTION

## HVAC Solution – Pro 4.0 (selection enhancements)

- Hurst boiler selection – Boilers big and small, no more catalogs required. Select a high quality Hurst boiler automatically and without effort right from within HVAC Solution.
- Hurst deaerator selection – Would you like a side order deaerator with that boiler, yes you can have it right now!
- Hurst boiler feed selection – Confused at how to size a boiler feed tank, HVAC Solution can help!
- Hurst blowdown separator selection – One more great Hurst product selectable from within HVAC Solution.
- Twin City fan selection – Fans anyone? Hit the thumbs up button and boom baby, all your fans are automatically selected. View fan curves, get dimensions, we got it all. This feature will save you hundreds of tedious last minute hours.
- Ruskin louver selection – Louver selection is now automatic and easy. Quality Ruskin products, including louvers of every size, shape and use, can automatically be selected by HVAC Solution.
- Ruskin damper selection – Another great Ruskin product selectable within HVAC Solution. No more hunting around through the catalog to get the exact damper you want.
- Ruskin fire damper selection – Select and schedule your fire dampers automatically.
- Ruskin fire/smoke damper selection – This smoking hot feature gets your fire/smoke dampers selected fast.
- Ruskin smoke damper selection – Yet more great Ruskin products!



FREE DEMO OR TRIAL VERSION AVAILABLE

[www.hvacsolution.com](http://www.hvacsolution.com)

800.831.0322

**ASSC**

Sole Distributor for Singapore, Malaysia & Indonesia:  
Advance Software Solutions Centre Pte Ltd (ASSC)  
111 North Bridge Road, #27-01/02 Peninsula Plaza, Singapore 179098.  
Tel: +65 6254 4326 Fax: +65 6254 4066  
Email: [info@assc-asia.com](mailto:info@assc-asia.com) [www.assc-asia.com](http://www.assc-asia.com)